

WAF122.50

Lavoce

12" WOOFER

FERRITE MAGNET
ALUMINIUM BASKET DRIVER



- 2.5 INCH CCAW VOICE COIL
- 97 dB/SPL SENSITIVITY
- 700 WATT PROGRAM POWER HANDLING
- FEM OPTIMIZED MOTOR AND SUSPENSIONS
- OPTIMIZED COOLING SYSTEM
- RESONANCE FREE AND HEAVY DUTY BASKET DESIGN
- TRIPLE ROLL SURROUND

GENERAL SPECIFICATIONS

Nominal diameter	mm (in.)	300 (12)
Nominal impedance	Ω	8
Minimum impedance	Ω	6,6
Program power (1)	W	700
AES Power rating (2)	W	350
Sensitivity (3)	dB	97
Frequency range	Hz	60 ÷ 3000
Voice coil diameter	mm (in.)	65 (2.5)
Chassis material	Aluminium	
Magnet material	Ferrite	
Magnet dimensions OD x ID x h	mm (in.)	170 x 75 x 20 (6.69 x 2.95 x 0.79)
Coil material	CCAW	
Former material	Glass fiber	
Cone material	Water Proof Treated Paper	
Surround material	Polycotton	
Xmax (4)	mm (in.)	6 (0.24)
Xmech (5)	mm (in.)	11,5 (0.45)
Gap height	mm (in.)	10 (0.39)
Voice coil winding height	mm (in.)	17 (0.67)
Driver displacement volume	l (ft ³)	2,6 (0.09)

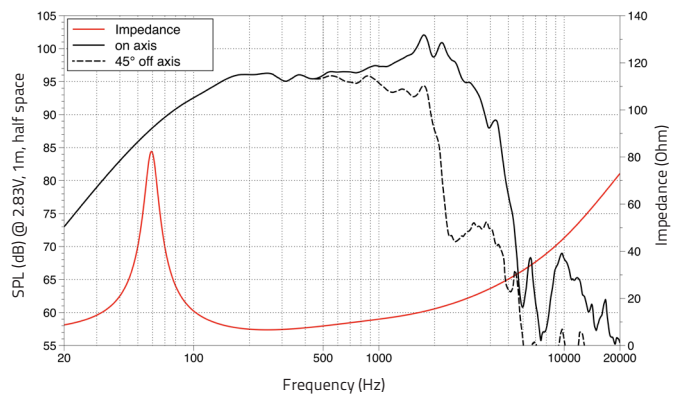
SMALL SIGNAL PARAMETERS

DC resistance	Re	Ohm	5,7
Resonance frequency	Fs	Hz	59
Moving mass	Mms	g (oz)	66,6 (2.35)
Compliance	Cms	mm/N	0,12
Force factor	BxL	N/A	19
Mechanical Q-factor	Qms		5,8
Electrical Q-factor	Qes		0,39
Total Q-factor	Qts		0,36
Equivalent air volume	Vas	l (ft ³)	47 (1.66)
Voice coil Inductance	Le	mH	0,88
Diaphragm area	Sd	cm ² (in. ²)	544 (84.32)
Reference efficiency	Eta 0	%	2,4

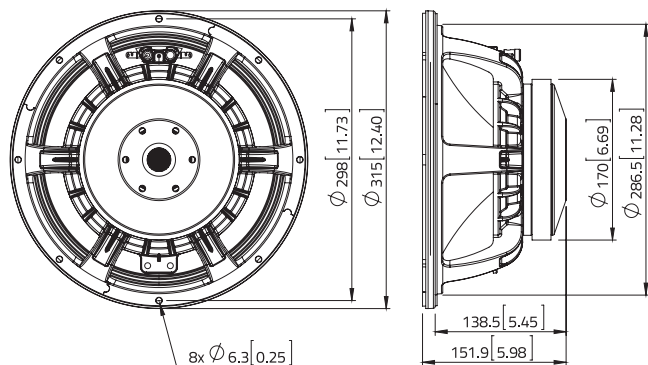
SHIPPING INFORMATION

Net weight	kg (lb.)	6,3 (13.9)
Multipack size (1)	mm (in.)	356 x 356 x 192 (14 x 14 x 7.6)
Multipack weight	kg (lb.)	7,8 (17.1)

FREQUENCY RESPONSE



DIMENSIONS mm (in.)



(1) Program power is defined as 3 dB greater than AES Power. (2) Tested for two hours using a continuous, band-limited pink noise signal as per AES 2-1984 Rev. 2003. Loudspeaker tested in free air. (3) From T/S parameters, measured with Klippel DA LPM module. (4) The Xmax is calculated as: $(Hvc - Hg)/2 + Hg/4$. Hvc is the voice coil height and Hg the gap height. (5) The Xmech is calculated as: $(Hvc - Hg)/2 + (Hg - 2)$. Hvc is the voice coil height and Hg the gap height. (6) Thiele-Small parameters are measured after preconditioning: a) at 20°C - 22°C, 50% humidity for 2 hours; b) by Klippel LSI measurement.

All specifications subject to change without notice_B.a

