

WAN103.01

Lavoce

10" WOOFER

NEODYMIUM MAGNET
ALUMINIUM BASKET DRIVER



- 3 INCH CCAW VOICE COIL
- 98 dB/SPL SENSITIVITY
- 900 WATT PROGRAM POWER HANDLING
- FEM OPTIMIZED MOTOR AND SUSPENSIONS
- OPTIMIZED COOLING SYSTEM
- RESONANCE FREE AND HEAVY DUTY BASKET DESIGN

GENERAL SPECIFICATIONS

Nominal diameter	mm (in.)	250 (10)
Nominal impedance	Ω	8
Minimum impedance	Ω	6,3
Program power (1)	W	900
AES Power rating (2)	W	450
Sensitivity (3)	dB	98
Frequency range	Hz	70 ÷ 3500
Voice coil diameter	mm (in.)	75 (3)
Chassis material	Aluminium	
Magnet material	Neodymium	
Magnet dimensions OD x ID x h	mm (in.)	120 x 80 x 10 (4.72 x 3.15 x 0.39)
Coil material	CCAW	
Former material	Kapton	
Cone material	Water Proof Treated Paper	
Surround material	Polycotton	
Xmax (4)	mm (in.)	5 (0.2)
Xmech (5)	mm (in.)	10,1 (0.4)
Gap height	mm (in.)	9,5 (0.37)
Voice coil winding height	mm (in.)	14,7 (0.58)
Driver displacement volume	l (ft ³)	1,6 (0.06)

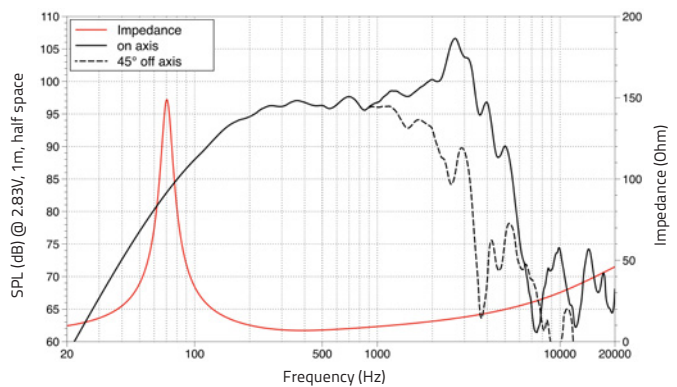
SMALL SIGNAL PARAMETERS

DC resistance	Re	Ohm	5,5
Resonance frequency	Fs	Hz	70
Moving mass	Mms	g (oz)	40 (1.41)
Compliance	Cms	mm/N	0,12
Force factor	BxL	N/A	20,6
Mechanical Q-factor	Qms		6
Electrical Q-factor	Qes		0,23
Total Q-factor	Qts		0,22
Equivalent air volume	Vas	l (ft ³)	22 (0.78)
Voice coil Inductance	Le	mH	0,7
Diaphragm area	Sd	cm ² (in. ²)	343 (53.17)
Reference efficiency	Eta 0	%	3,2

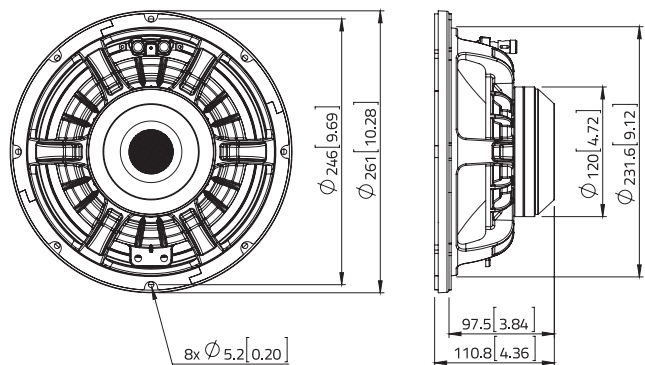
SHIPPING INFORMATION

Net weight	kg (lb.)	3,1 (6.8)
Multipack size (1)	mm (in.)	293 x 293 x 145 (11.5 x 11.5 x 5.7)
Multipack weight	kg (lb.)	3,8 (8.4)

FREQUENCY RESPONSE



DIMENSIONS mm (in.)



(1) Program power is defined as 3 dB greater than AES Power. (2) Tested for two hours using a continuous, band-limited pink noise signal as per AES 2-1984 Rev. 2003. Loudspeaker tested in free air. (3) From T/S parameters, measured with Klippel DA LPM module. (4) The Xmax is calculated as: $(Hvc - Hg)/2 + Hg/4$. Hvc is the voice coil height and Hg the gap height. (5) The Xmech is calculated as: $(Hvc - Hg)/2 + (Hg - 2)$. Hvc is the voice coil height and Hg the gap height. (6) Thiele-Small parameters are measured after preconditioning: a) at 20°C - 22°C, 50% humidity for 2 hours; b) by Klippel LSI measurement.

All specifications subject to change without notice_B.a

